

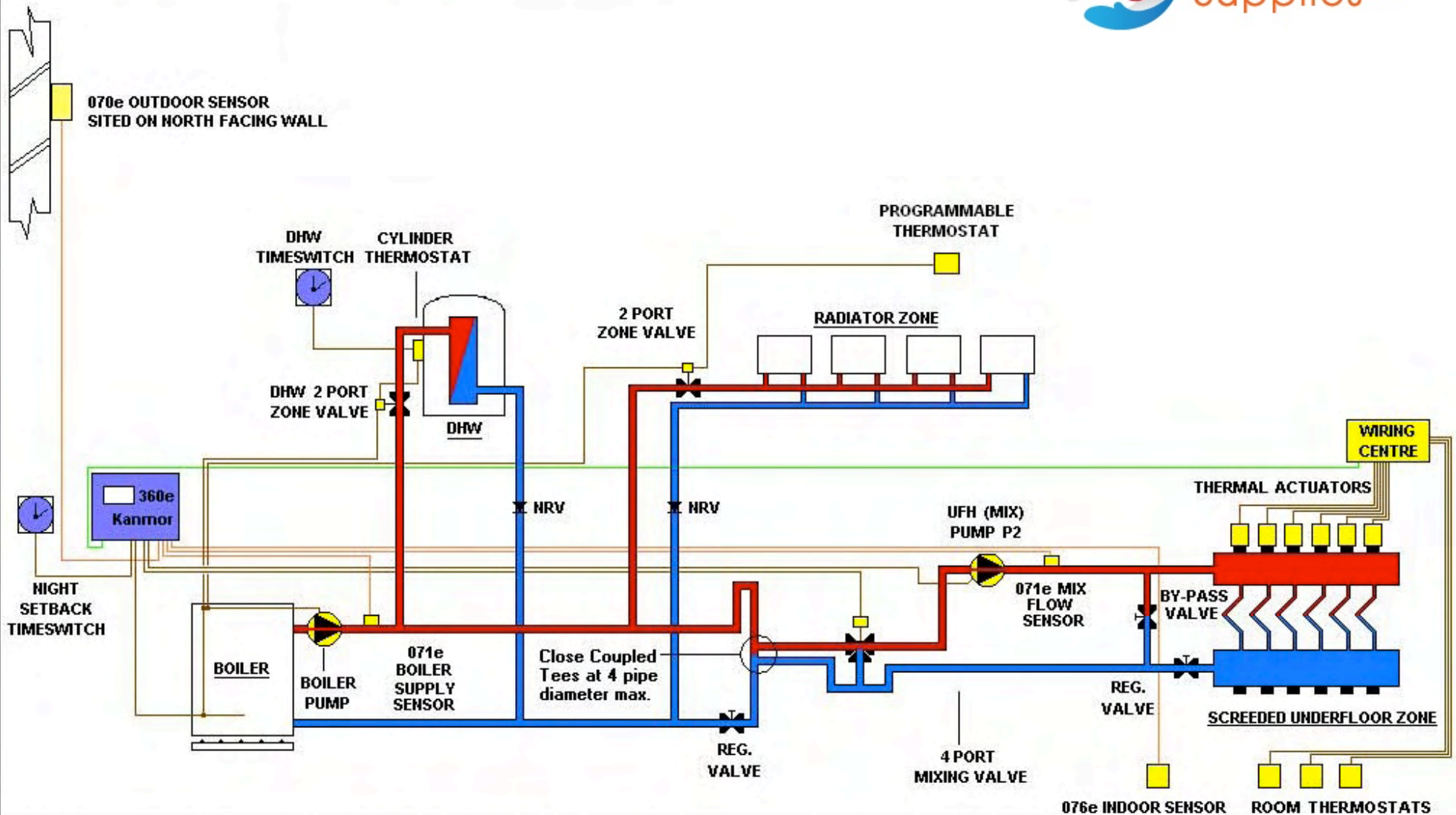
KANMOR 360e CONTROLLER  
SCHEMATIC APPLICATION DRWG-a.

DATE: February '06  
REF: 360-URD

SCHEMATIC PIPEWORK LAYOUT OF WEATHER COMPENSATED  
UNDERFLOOR HEATING CIRCUIT, RADIATORS & DHW.

CUSTOMER:  
PROJECT:

— Denotes sensor inputs  
— Denotes switched outputs  
— Denotes demand signals



This is only a concept drawing, not an engineered drawing. It is not intended to describe a complete system, nor any particular system. It is up to the system designer to determine the necessary components for and configuration of the particular system being designed, including additional equipment, isolation relays (for loads greater than the control's specified output rating), and any safety devices which in the judgement of the designer are appropriate, in order to properly size, configure and design that system and to ensure compliance with building & safety code requirements.