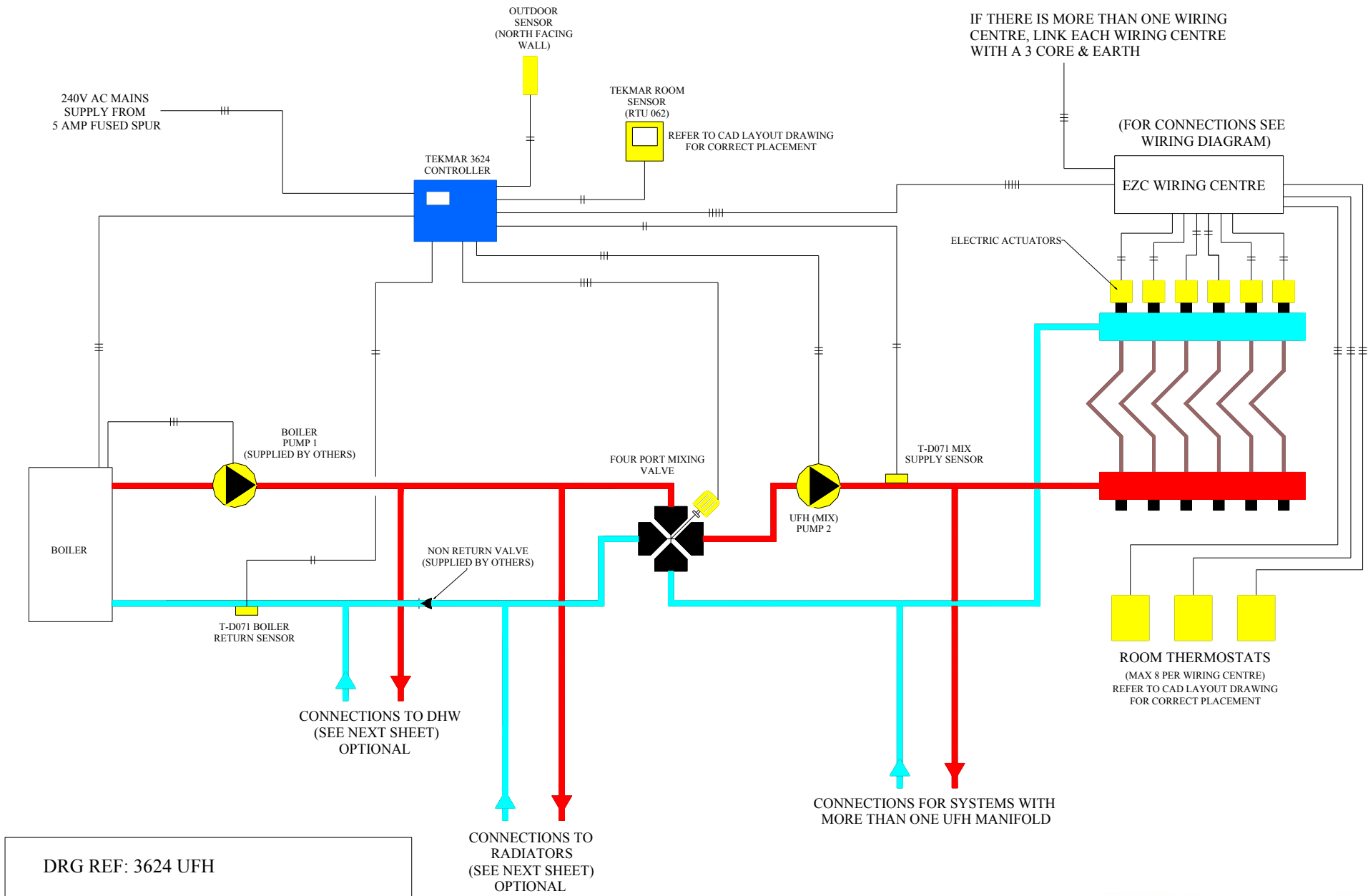
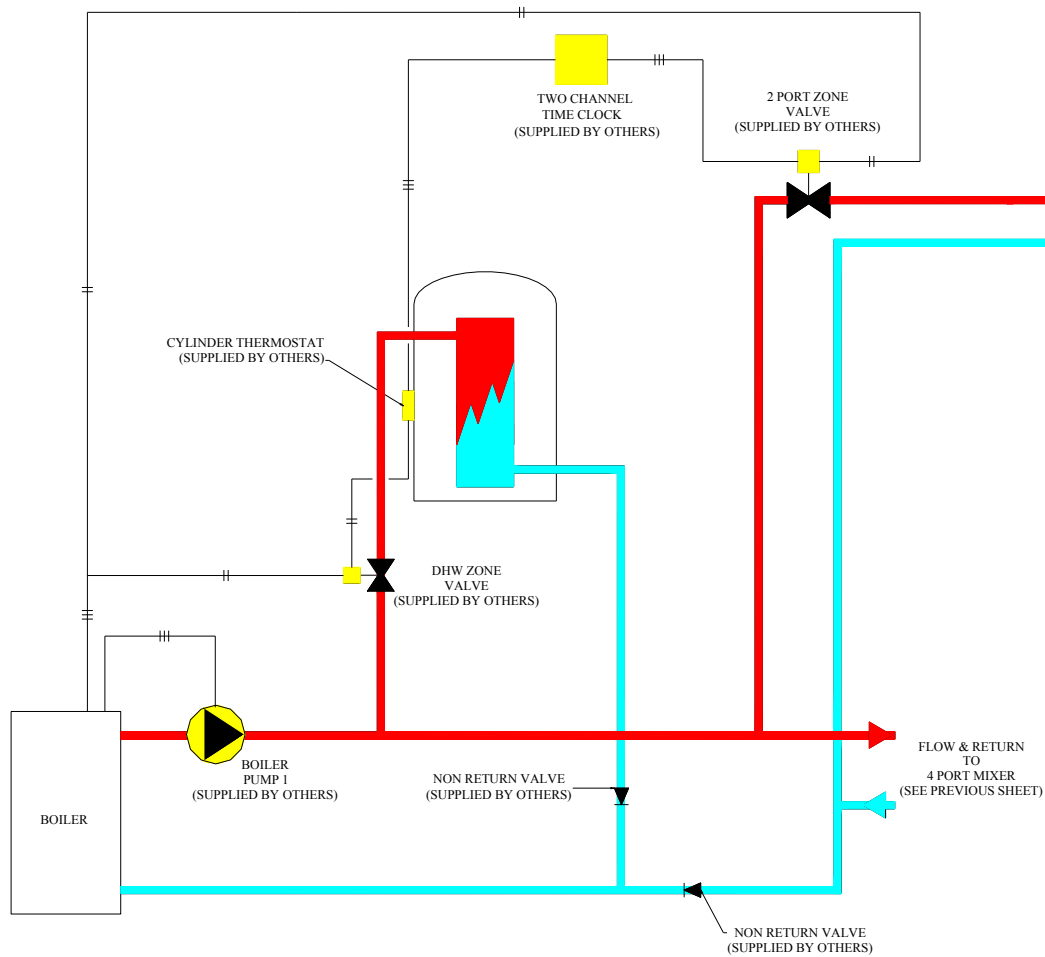


**SCHEMATIC PLANT & WIRING LAYOUT  
KANMOR 3624 CONTROLLING ONE OR MORE MANIFOLDS  
(DHW & RADIATORS SHOWN AS OPTIONS)**

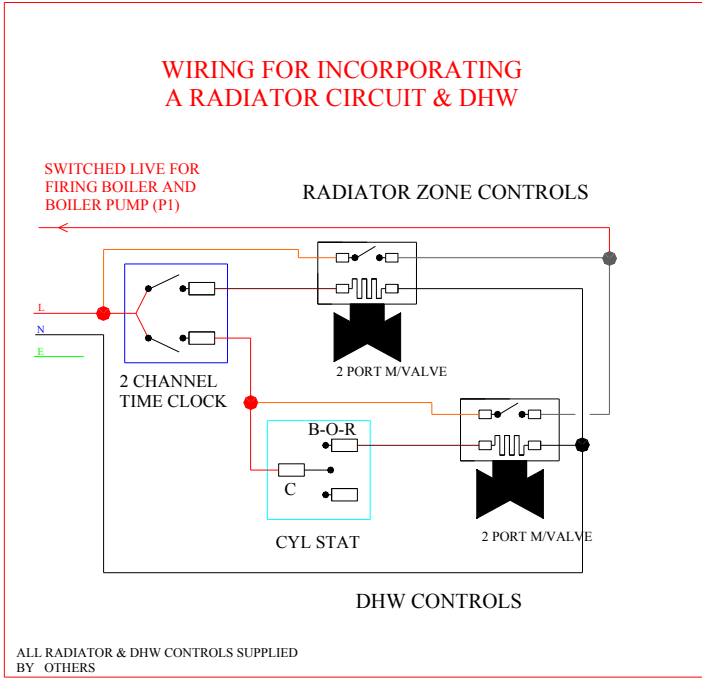


DRG REF: 3624 UFH

**SCHEMATIC PLANT & WIRING LAYOUT INCORPORATING RADIATORS AND INDIRECT DHW**

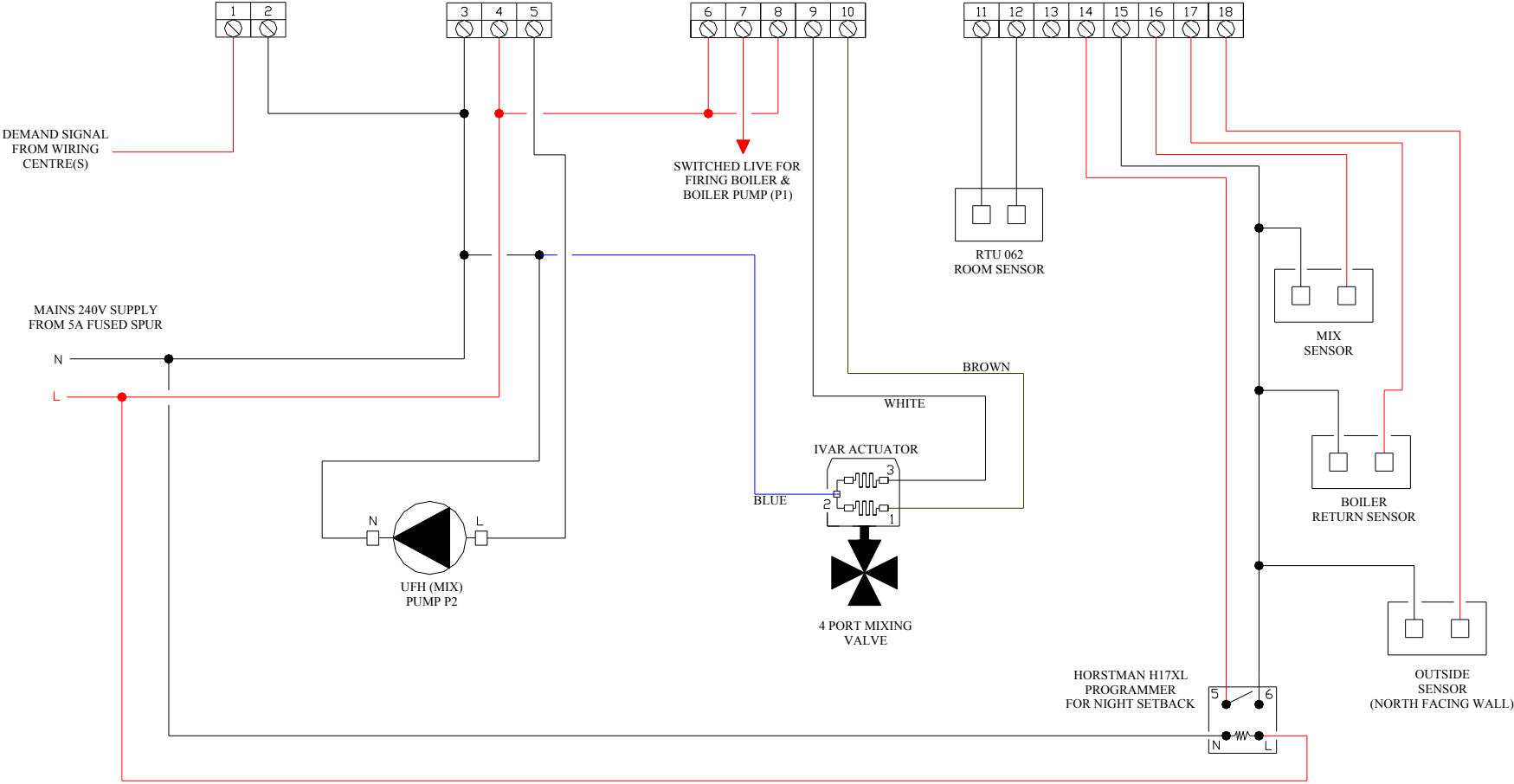


DRG REF: 3624 RAD+DHW



ALL RADIATOR & DHW CONTROLS SUPPLIED BY OTHERS

# KANMOR 3624



DRG REF: KANMOR 3624 - WIRING