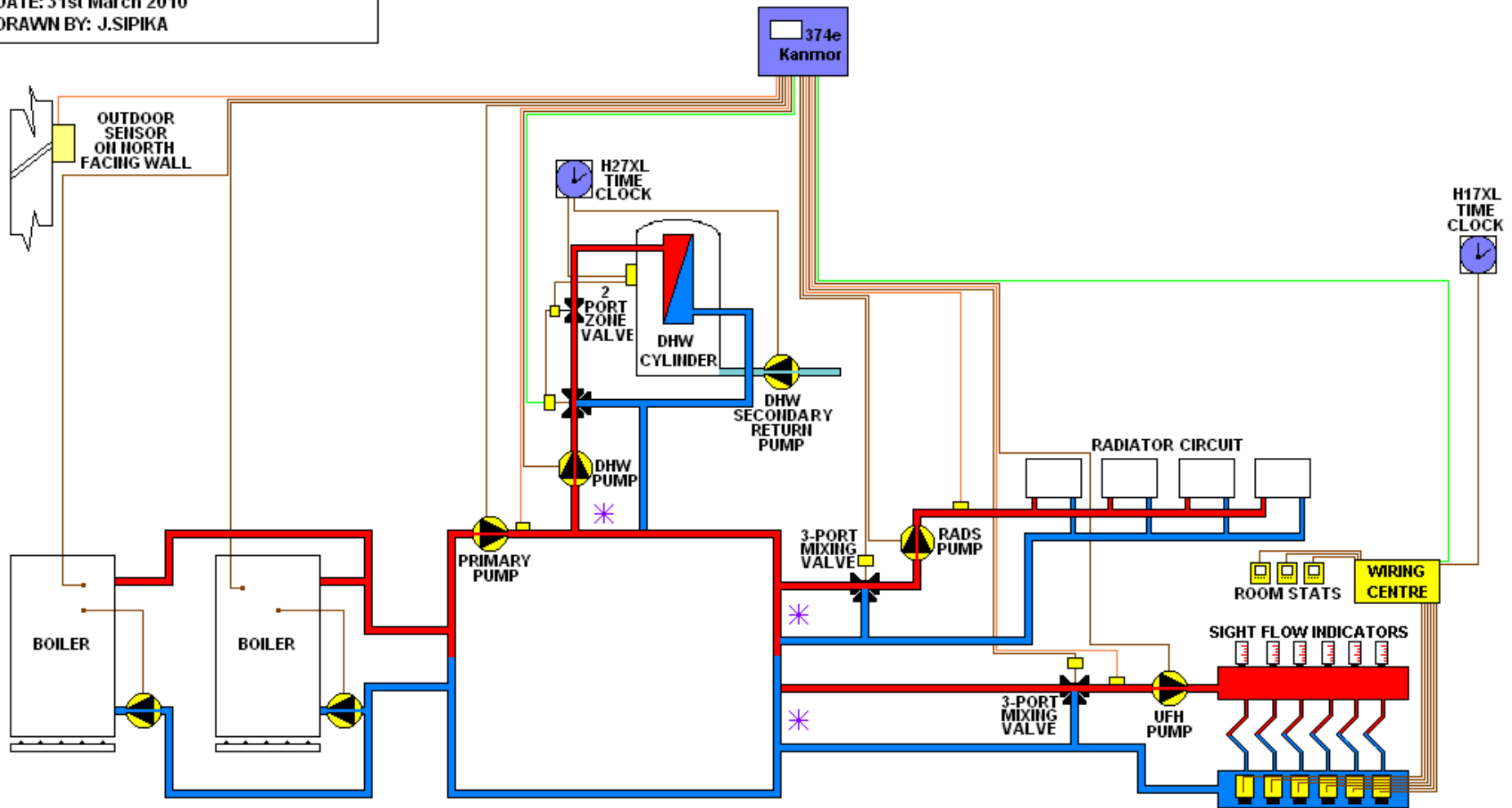


DRG REF: 374e-URD prepared by
RADIANT CONTROL LTD

PROJECT: J.T.
DATE: 31st March 2010
DRAWN BY: J.SIPIKA

— Denotes sensor inputs
— Denotes switched outputs
— Denotes Demand Signal

* REFERS TO: CLOSE COUPLE
TEES NO MORE
THAN 4 PIPE
DIAMETERS APART

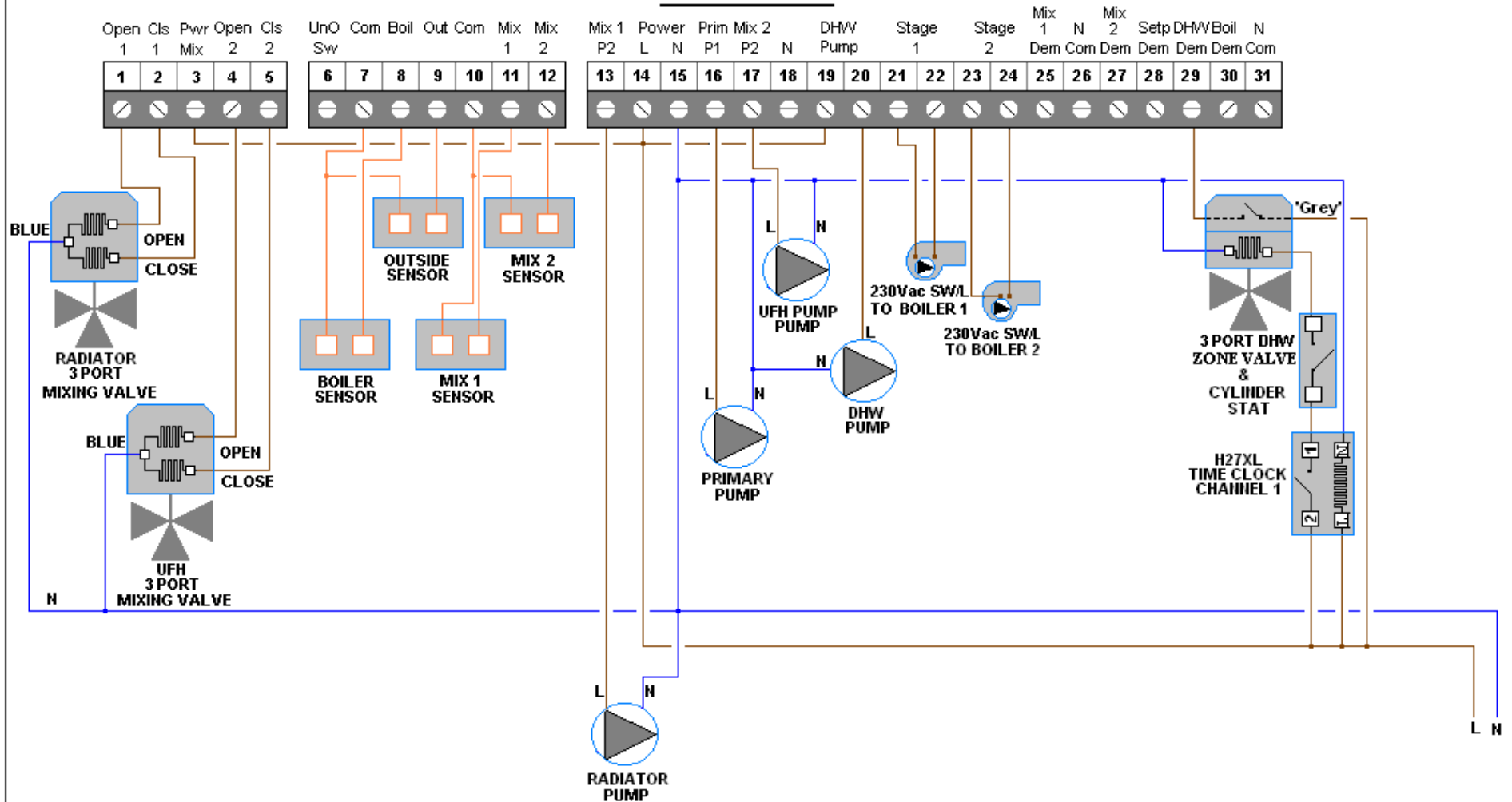


This is only a concept drawing, not an engineered drawing. It is not intended to describe a complete system, nor any particular system. It is up to the system designer to determine the necessary components for and configuration of the particular system being designed, including additional equipment, isolation relays (for loads greater than the control's specified output rating), and any safety devices which in the judgement of the designer are appropriate, in order to properly size, configure and design that system and to ensure compliance with building & safety code requirements.

CUSTOMER: JOHN TRENELL
 PROJECT:
 DRAWN BY: J.SIPIKA

**SCHEMATIC WIRING LAYOUT OF TYPICAL KANMOR 374e
 WEATHER COMPENSATOR & UNDERFLOOR HEATING**

KANMOR 374E



This wiring schematic is a guide to a typical wiring arrangement utilising the products shown, it is not intended to describe a complete system, nor any particular system. It is up to the system designer to determine the necessary components for and configuration of the particular system being designed, including additional equipment, isolation relays (for loads greater than the control's specified output rating), and any safety devices which in the judgement of the designer are appropriate, in order to properly size, configure and design that system ensuring compliance with IEE regulations.