



Multi-layer pipe Gerpex RA



Ø 14



Ø 16



Ø 18



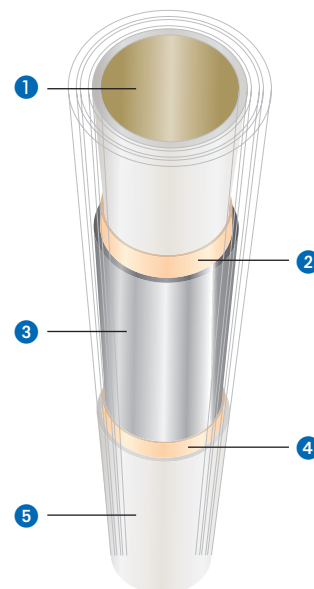
Ø 20



Ø 26



Ø 32



kQ



TECHNICAL SHEET 60

Construction

- 1 Cross-linked polyethylene inner pipe (PE-Xb).
- 2 Bonding layer connecting the inner pipe to the aluminium pipe.
- 3 Butt-welded aluminium pipe, thickness min 0,2 mm.
- 4 Bonding layer connecting the outer pipe to the aluminium pipe.
- 5 Cross-linked polyethylene outer pipe (PE-Xb).

Technical data Gerpex RA pipe

Classes of application (UNI ISO 21003 - see table following pages): 2/10 bar, 5/10 bar

Operating temperature: 0÷95 °C

Max. pressure: 10 bar

Coefficient of linear expansion: 0,026 mm/m °C

Thermal conductivity: 0,45 W/m °C

Minimum radius of bending: 5 x Ø pipe

Surface roughness of internal pipe: 7 µm

Fire reaction class: E_L (EN 13501-1)

Technical data of insulating sheath

Material: Closed-cell expanded polyurethane, covered with a film in extruded LD-PE.

Thermal conductivity (at 40 °C): ≤ 0,040 W/mK (UNI EN ISO 8497).

Fire reaction class: 1 (UNI 9177); D_L-s2-d2 (EN 13501-1).

Operating temperature: -20 °C ÷ 110 °C.

Thickness of covering (UNI 10376): Compliant with attachment B- TAB 1 of Presidential Decree 412/93 for pipes that run within structures that do not face onto the exterior, nor onto heated rooms.

Multi-layer pipe Gerpex RA



Gerpex RA bare pipe

Size	Mts. pack	Code
NEW 14 x 2	100	28102314
16 x 2	100	28106000
16 x 2	200	28106010
16 x 2	500	28106050
18 x 2	100	28102318
20 x 2	100	28106004
26 x 3	50	28102906
32 x 3	50	28102908



Gerpex RA insulated pipe

Size	Insulation thickness	Mts. pack	Code
NEW 14 x 2	6 mm	50	28102336
NEW 14 x 2	6 mm	100	28102334
16 x 2	6 mm	50	28106108
16 x 2	6 mm	100	28106100
18 x 2	6 mm	50	28102340
18 x 2	6 mm	100	28102338
20 x 2	6 mm	50	28106104
20 x 2	9 mm	50	28106106
26 x 3	9 mm	50	28152706
32 x 3	9 mm	25	28152708

16x2 (6 mm) - 20x2 (9 mm) - 26x3 (9 mm) - 32x3 (9 mm): **Type installations C**
(see Insulation, section 13 Heating unit components)



Gerpex RA insulated pipe

NEW

Size	Insulation thickness	Mts. pack	Code
16 x 2 red	6 mm	100 m	28106140
16 x 2 blue	6 mm	100 m	28106142
20 x 2 red	6 mm	50 m	28106144
20 x 2 blue	6 mm	50 m	28106146

16x2 (6 mm): **Type installations C** (see Insulation, section 13 Heating unit components)